

Before start ,please carefully read the explanations!

Sport jet Aspire ARF



Specification:

Length: 2360mm(93in)
Wing span: 1995mm(78.5in)
Flying Weight: 34.8lbs (~15.8kg)
Turbine: 12~16kg
Radio: Min. 9 ~ 11 Servos required
C.G: 162mm from the leading edge of wing root

INSTRUCTION MANUAL



SAFETY PRECAUTIONS

This R/C airplane is not a toy!

(The people under 18 years old is forbidden from flying this model)

First-time builders should seek advice from people having building experience.If misused or abused,it can cause serious bodily injury and damage to property.

Fly only in open areas and preferably at a dedicated R/C flying site. We suggest having a qualified instructor carefully inspect your airplane before its first flight.Please carefully read and follow all instructions included with this airplane,your radio control system and any other components purchased separately.

REQUIRED FOR OPERATION (Purchase separately!)



CAUTION: For details concerning the equipment listed below (size, maker, etc.), check with your hobby shop.

- 1** A minimum 6 channel radio for airplanes (with 8 servos), and dry batteries.



CAUTION: Only use a minimum 6 channel radio for airplanes! (No other radio may be used!)
6 channel radio for airplane is highly recommended for this model.

12 AA-size Batteries



A minimum 6 channel transmitter for airplanes.



For handling the radio properly, refer to its instruction manual.

- 2** Engine

Model Airplane Engine 12-16 KG Turbine



3

Sponge Sheet



Gasoline tube



Fuel Filter

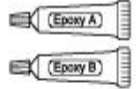


4

Glue Instant Glue



Epoxy Glue



5

Optional electric retract set



Sharp Hobby Knife



Phillips Screw Driver (l, m, s)



Awl



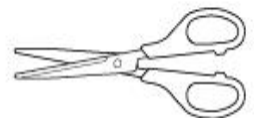
Needle Nose Pliers



Wire Cutters



Scissors



BEFORE YOU BEGIN

- 1** Read through the manual before you begin, so you will have an overall idea of what to do.
- 2** Check all parts. If you find any defective or missing parts, contact your local dealer.
- 3** Symbols used throughout this instruction manual, comprise:
- 4** We strongly recommend you use the thread lock for all the screws when you build your model.



Apply epoxy glue.



Drill holes with the specified diameter (2mm).



Cut off excess.



Pay close attention here!



Apply instant glue (CA glue, super glue).



Cut off shade portion.



Ensure smooth non-binding movement while assembling.



Assemble left and right sides the same way.


























Must be purchased separately!

Do not overlook this Symbol!






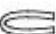









Warning!

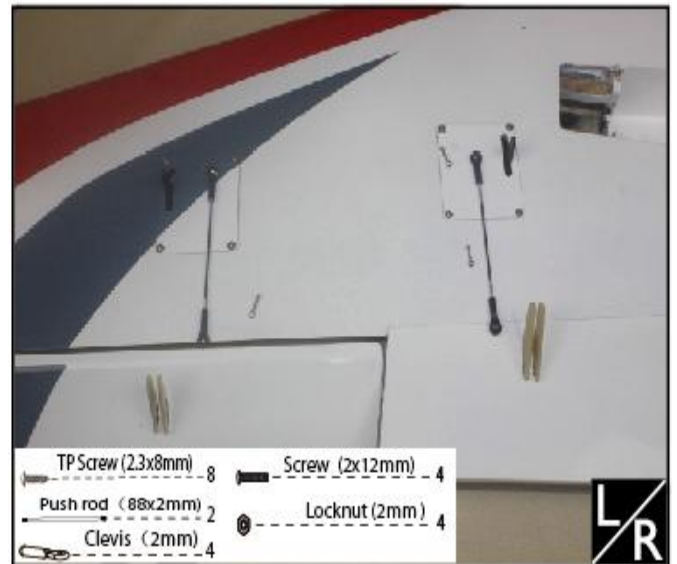
Accessories packing list

	TP Screw (2.3x8mm)	20		Wing tube (30x972mm)	1
	TP Screw (3x14mm)	20		Stab tube (16x210mm)	2
	Washer(3x6mm)	16		Stab tube (10x68mm)	2
	Washer(4x8mm)	8		Vertical tube(20x325mm)	1
	Screw (3x10mm)	8		Vertical tube (10x110mm)	1
	Screw (2x12mm)	17		pivot & round hinge(5x68mm)	4
	Locknut (2mm)	17		Wood 22x20x9	8
	Screw (4x25mm)	8		Gear door	1
	Horn	14		Wing baffle	2
	Clevis (2mm)	16		Tail pipe mount	1
	Push rod (88x2mm)	7		Fuel tank	1
	Retainer	2			

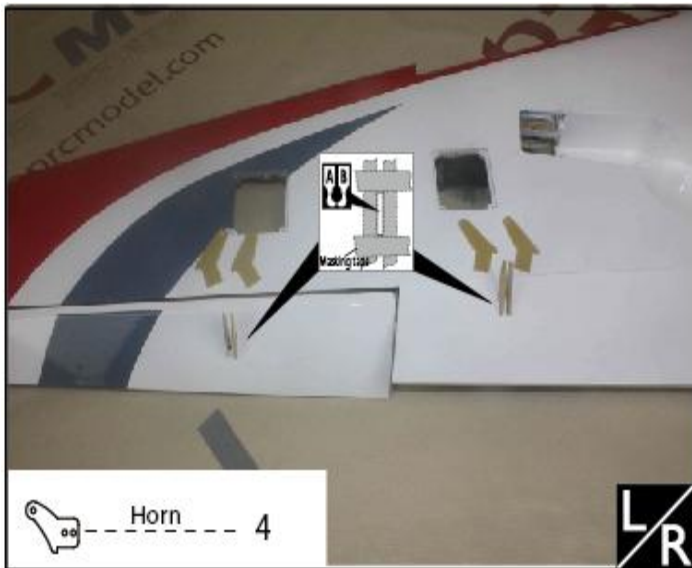
Accessory list for the coming installation steps.

	Horn	8		Washer(3x6mm)	16
	Clevis (2mm)	8		Screw (3x10mm)	8
	Push rod (88x2mm)	4		Wing baffler	2
	Screw (2x12mm)	8		TP Screw (2.3x8mm)	8
	Locknut (2mm)	8		Wood22x20x9	8
	TP Screw (2.3x8mm)	16		Gear door	1
	TP Screw (3x14mm)	8			

3. Fix the servo trays to the wings with screws.



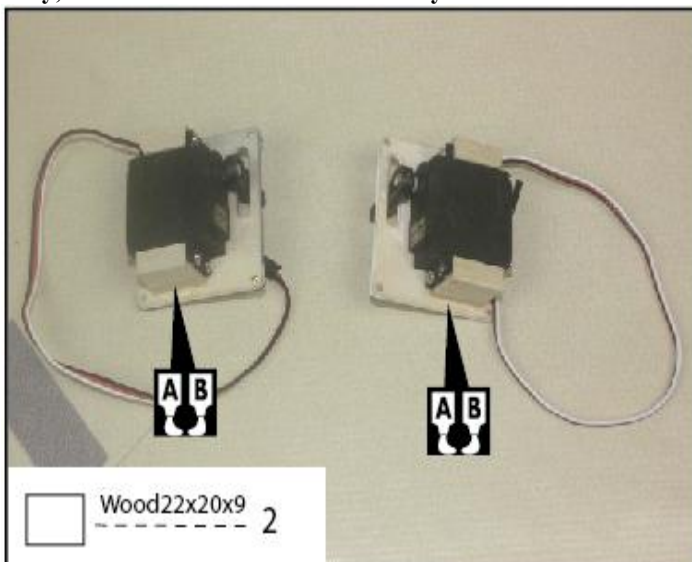
1. Apply AB glue to the slots in the ailerons, flaps and assemble the horns into them.



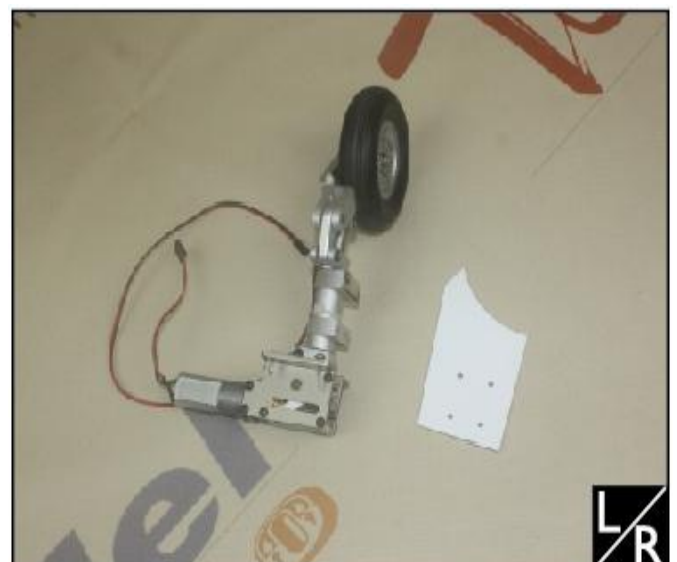
4. Connect the horn to the servo with the push rod and secure them.



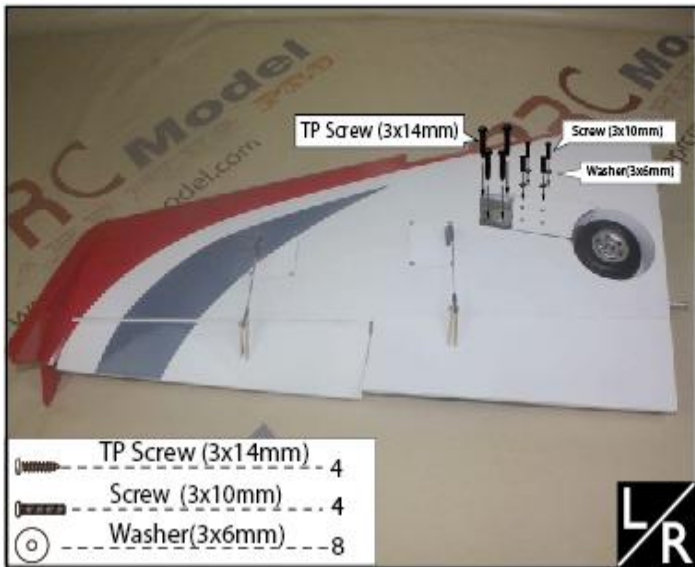
2. Epoxy the wood block to appropriate position on the servo tray, Install the servo to the servo tray as below.



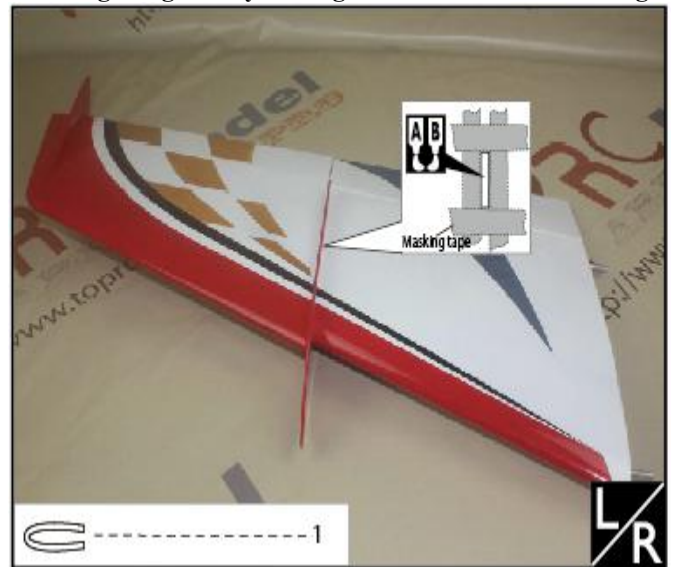
5. Assemble the wheel and oleo strut to the retract.



6. Fix the main retracts and wheel covers with screws.



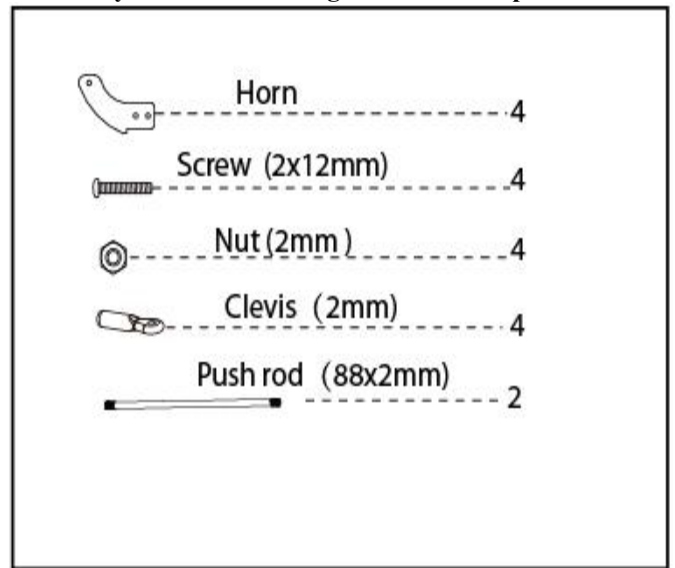
9. Apply marking tape around the wing bafflers to keep the wing not get dirty when glue the bafflers in the wings.



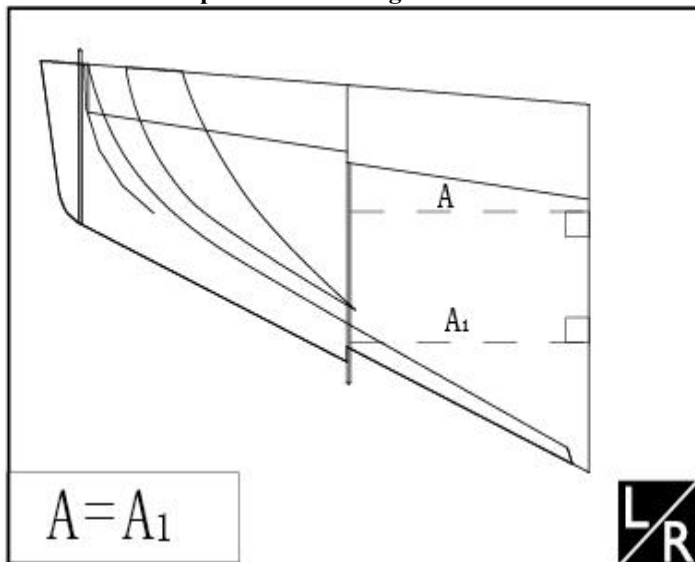
7. The picture when the gear down.



Accessory list for the coming installation steps.



8. The sketch map of how the wing baffle installation.



10. Assemble the servo to the stabilizer through the slots on the stab root.



11. Use steel ruler to measure the length where the stab servo will install inside the stab.



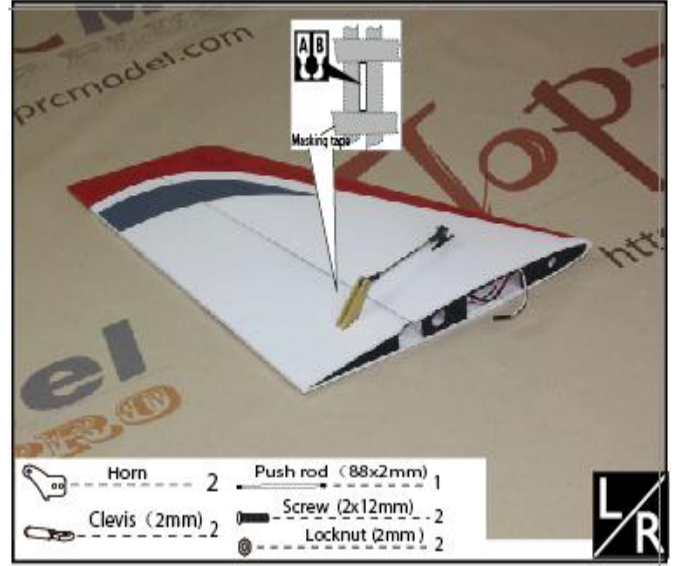
12. Measure the same length on the bottom of the stab, mark it and trim a slot for the stab servo arm.



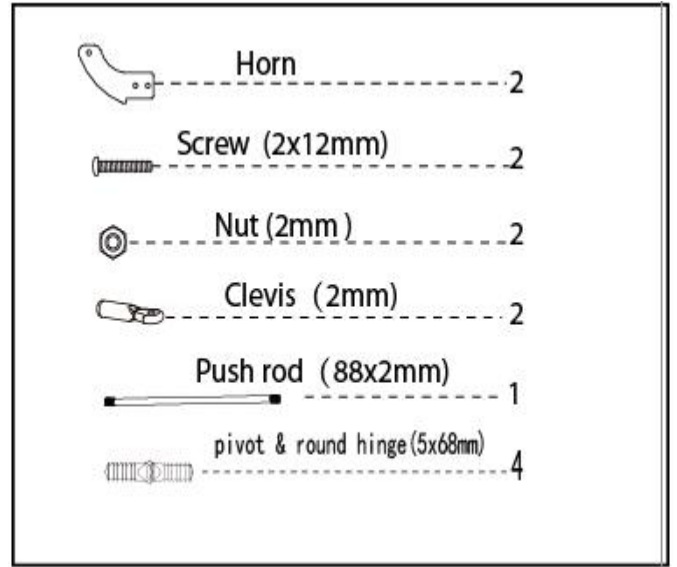
13. Assemble the stab servo to the stab with screws and screw driver.



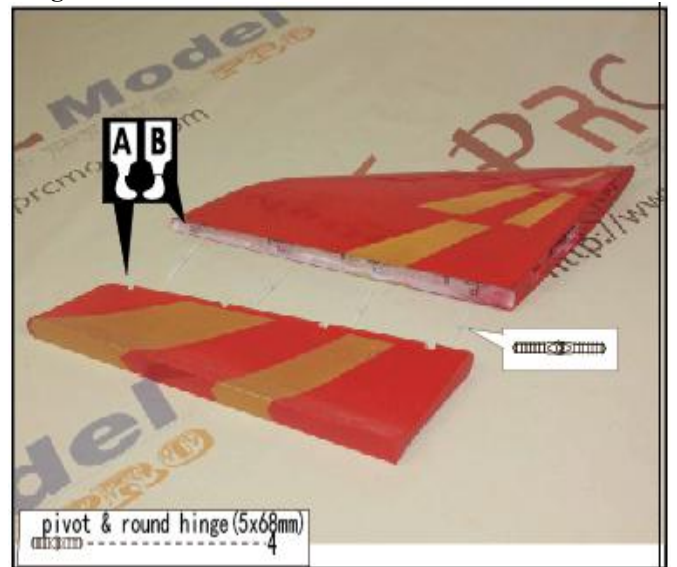
14. Apply marking tape around the horn to keep clean when glue the horn in the elevator and connect it to the servo arm.



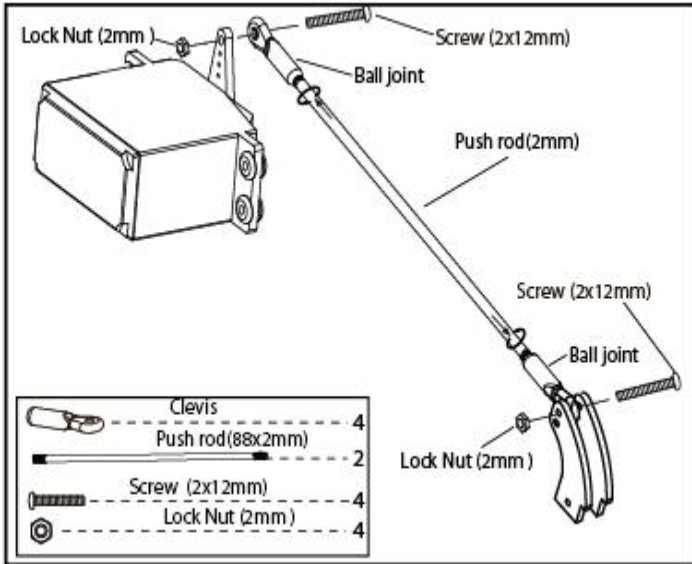
Accessory list for the coming installation steps.



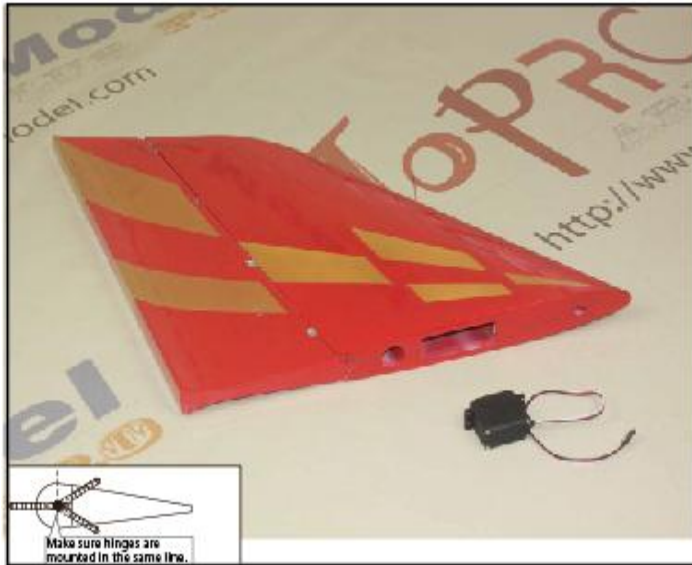
15. Apply instant type AB glue to the slots in the rudder, vertical fin, assemble the rudder to the vertical fin with hinges.



16. The sketch map of how the servo arms connect to the horns.



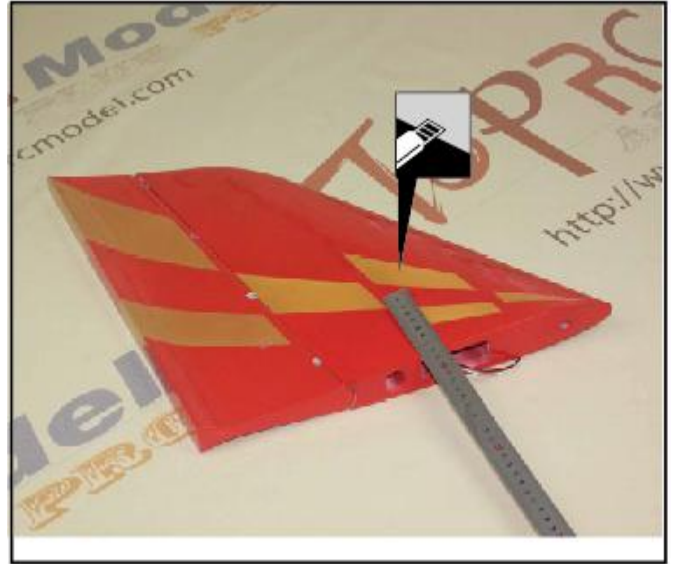
17. The processes for assembling the rudder servo.



18. Use steel ruler to measure the length where the rudder servo will install inside the vertical fin.



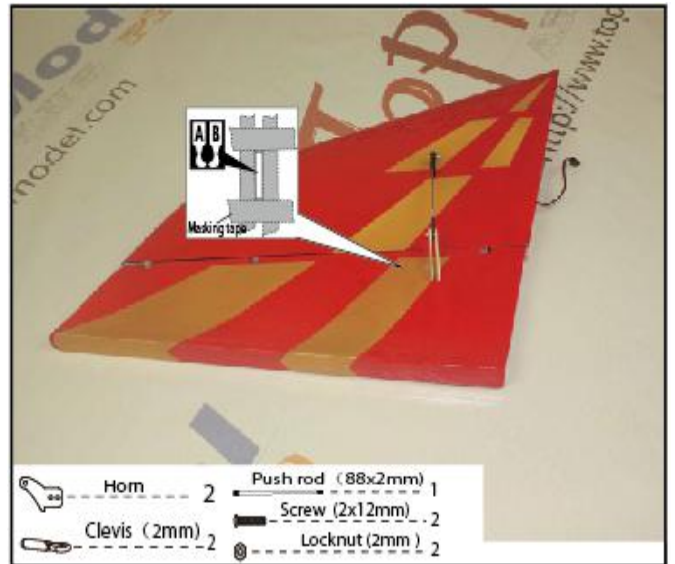
19. Measure the same length on the vertical fin, mark it and trim a slot for the rudder servo arm.









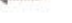




20. Assemble the rudder servo to the vertical fin with screws and screw driver.



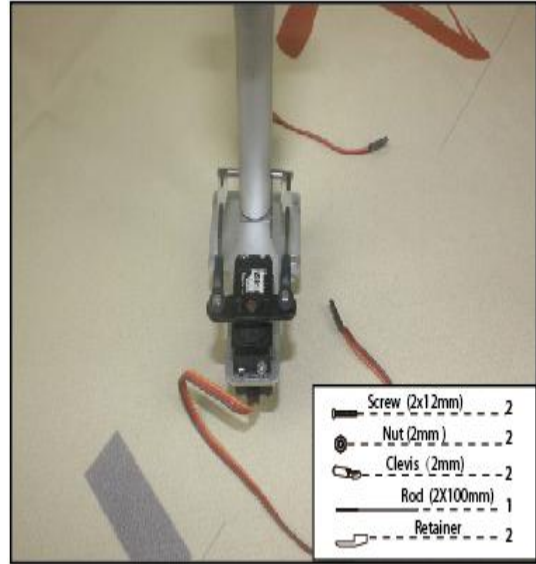
21. Apply marking tape around the horn of rudder, glue the horn in the rudder and connect the horn to the rudder servo arm.



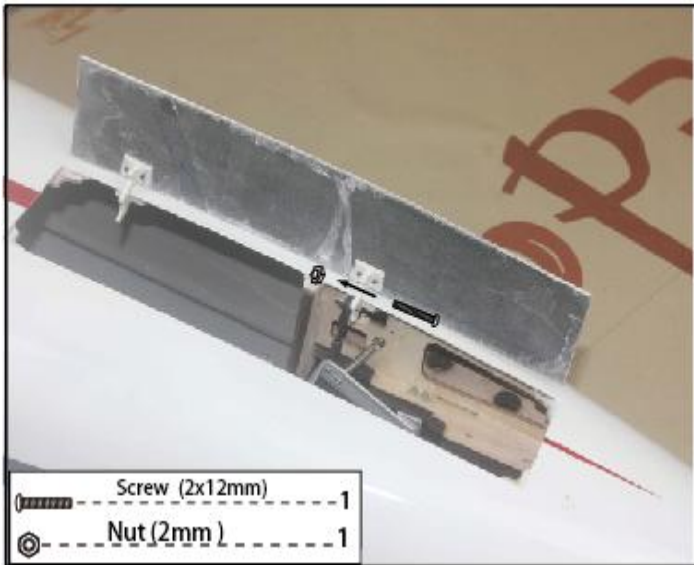
Accessory list for the coming installation steps.

	Screw (2x12mm)	3
	Nut (2mm)	3
	Clevis (2mm)	2
	Rod (2X100mm)	1
	Retainer	2
	TP Screw (2.3x8mm)	10
	Screw (4x40mm)	8
	TP Screw (3x14mm)	4
	TP Screw (3x14mm)	8
	Washer(3x6mm)	12
	Tail pipe mount	1

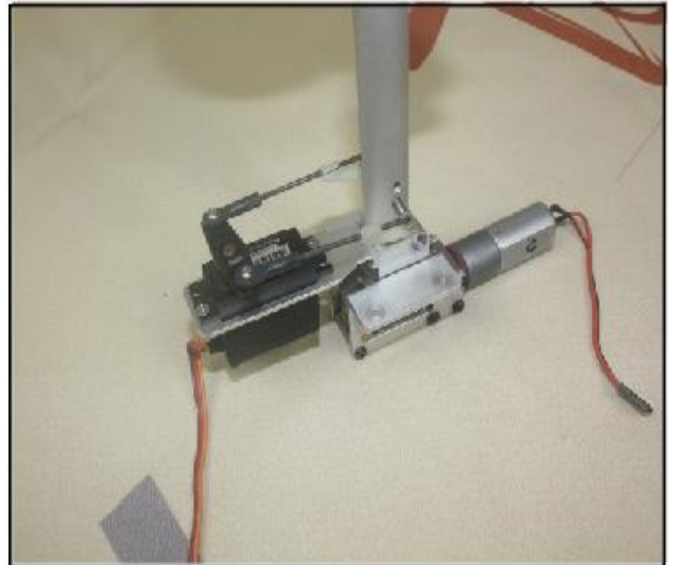
24.Assemble the nose gear servo to the nose retract.



22.Connect the nose gear door with screw.



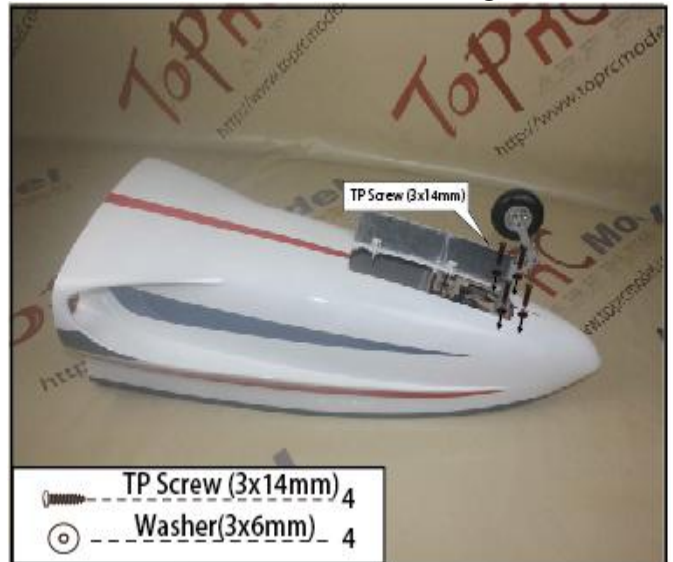
25.Assemble the steering linkages.



23.Connect the nose gear door with screw.



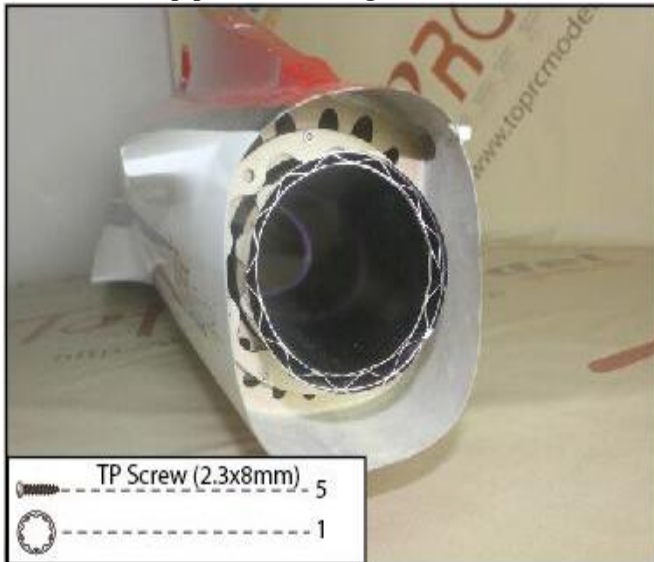
26.Assemble the nose retract to the fuselage with screws.



27. Put the tail pipe into the fuselage.



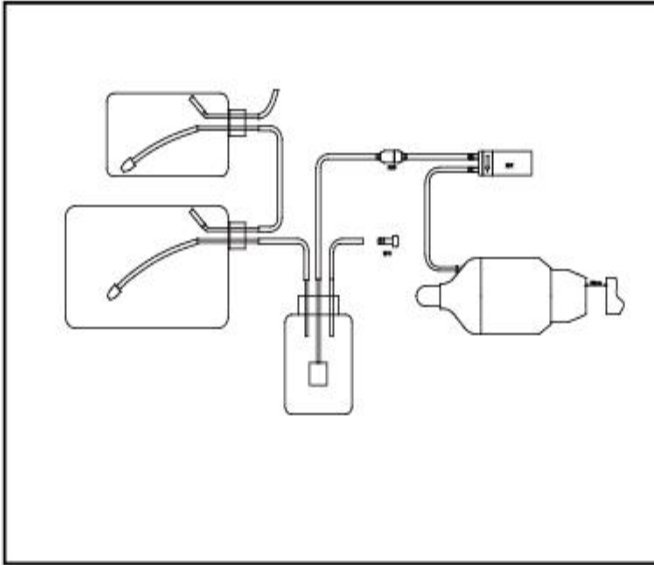
30. Fix the tail pipe to the fuselage with screws.



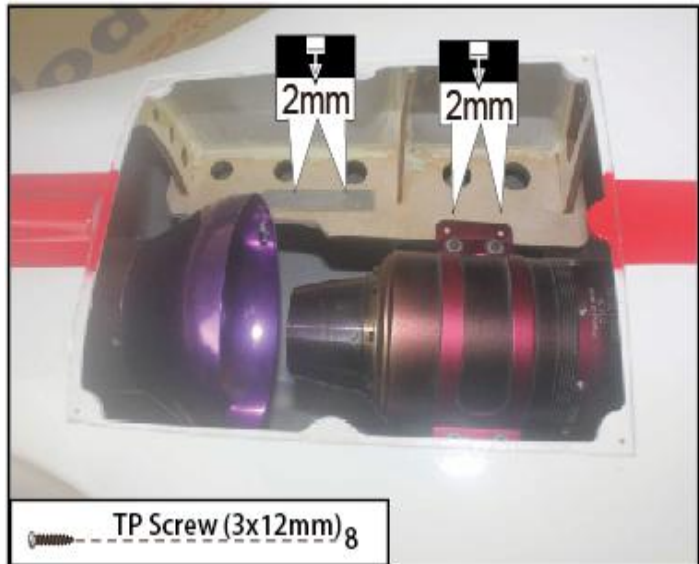
28. Assemble the turbine engine.



31. The sketch map of the connection for the fuel tanks.



29. Drill holes to appropriate position in the fuselage and assemble the turbine engine to it with screws.



32. Install the bottom hatch to the fuselage with screws.



33. Assemble the fuel tank.



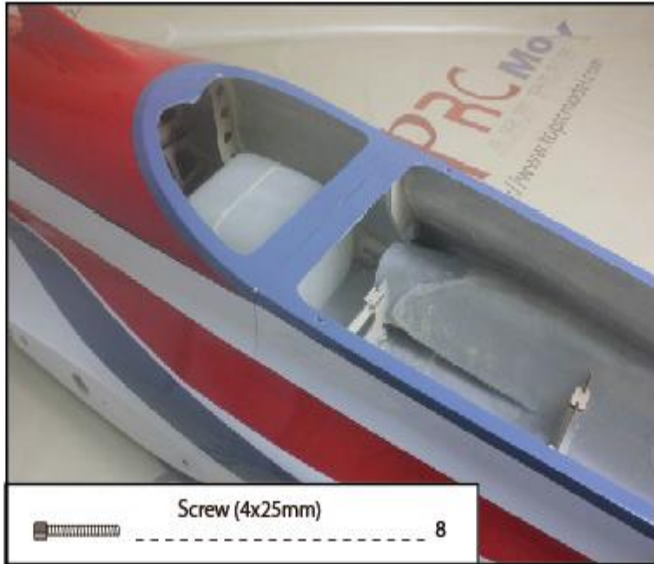
34. Put the fuel tank into the fuselage.



35. Put the two parts fuselage together.



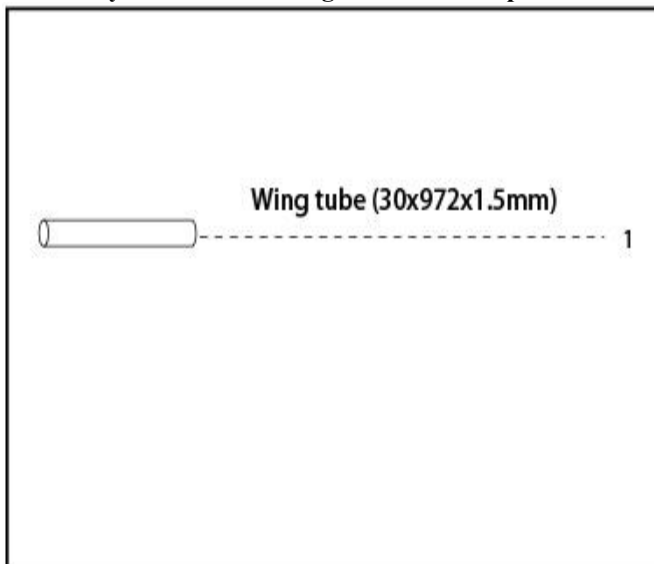
36. Fix the fuselages together with screws.



37. Put the plywood plate in the fuselage.



Accessory list for the coming installation steps.



38. Put the wing tube through the fuselage.



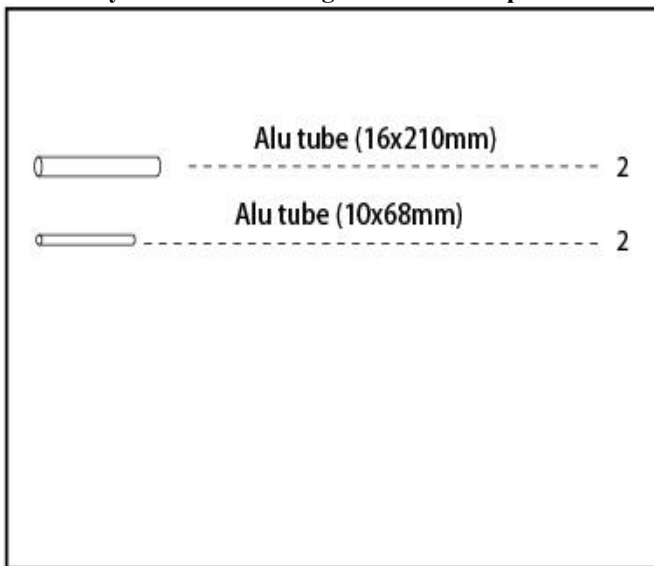
39. Assemble the wings to the fuselage through the wing tube.



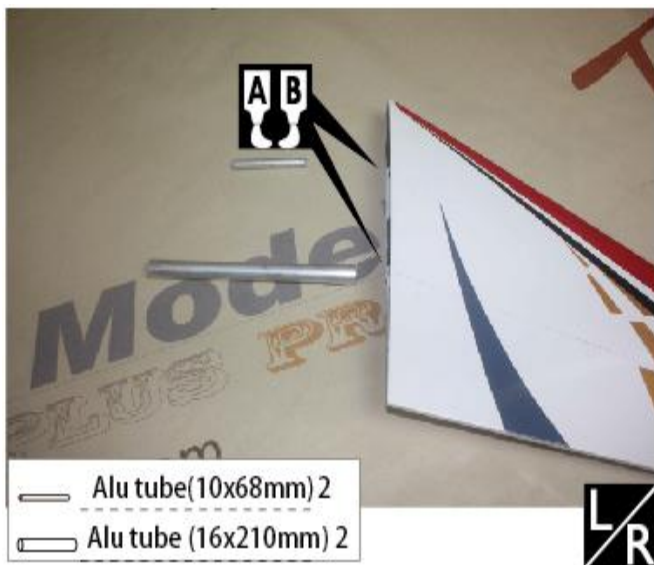
40. Lock the wing to the fuselage by screws from the bottom of the fuselage.



Accessory list for the coming installation steps.



41. Glue the stabilizer tube to the stabilizer.



42. The photo when the stabilizers ready.



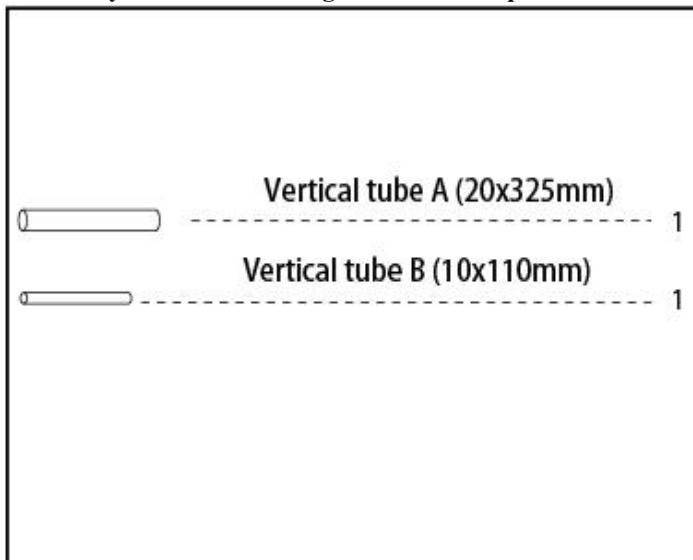
43. Assemble the stabilizers to the fuselage.



44. Lock the stabilizers to the fuselage by screws from the top of the tail fuselage.



Accessory list for the coming installation steps.



45. Glue the vertical tubes to the vertical fin.



46. The photo when the vertical fin ready.



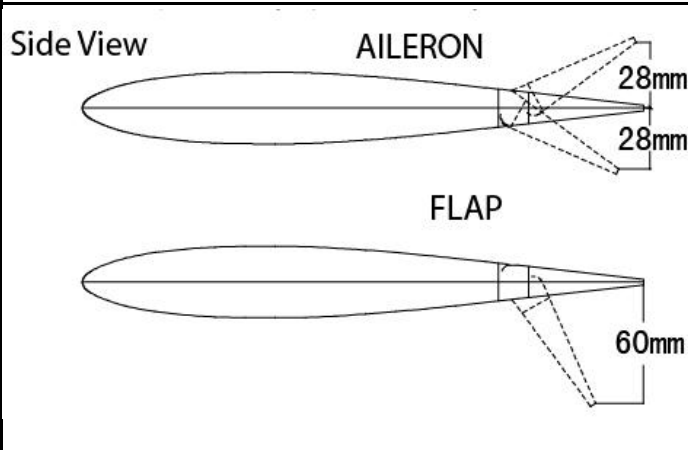
47. Assemble the vertical fin to the fuselage, lock it with screw from the hole in the tail fuselage as picture.



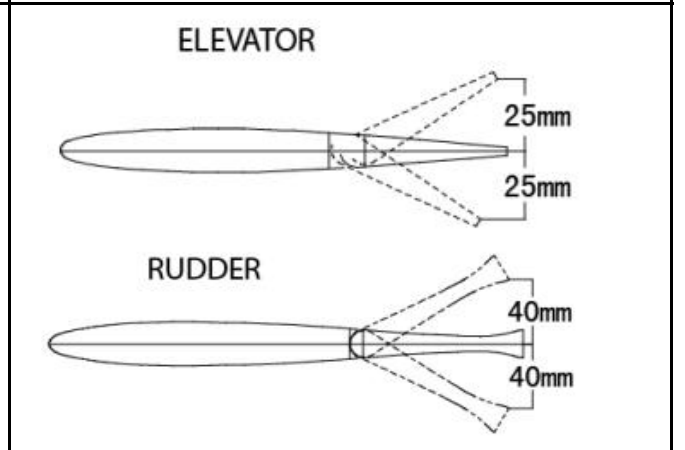
48. The photo when the model assemble completely.



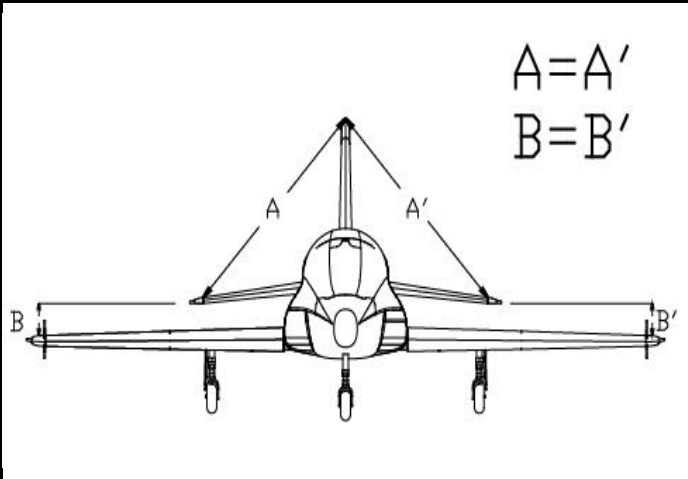
49. Adjust the travel of each control surface to the values in the diagrams. These values fit general flight capabilities. Readjust according to your needs and flight level.



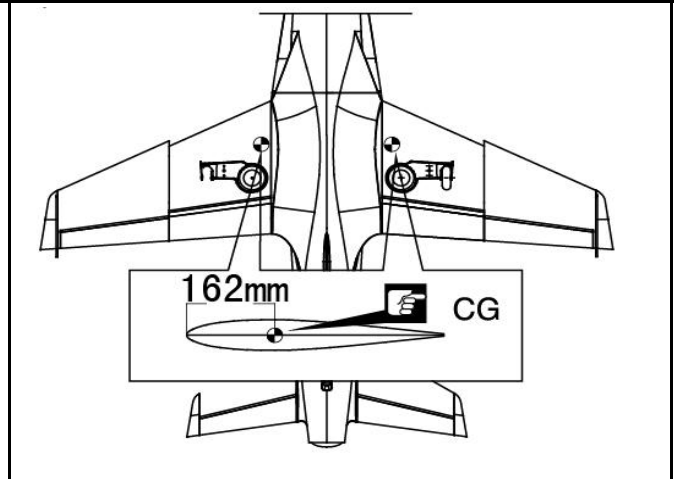
50. Adjust the travel of each control surface to the values in the diagrams. These values fit general flight capabilities. Readjust according to your needs and flight level.



51. Check all the datas well. make sure all sections glue tightly. Otherwise if coming off during flights, you'll lose control of your airplane which leads to accidents!



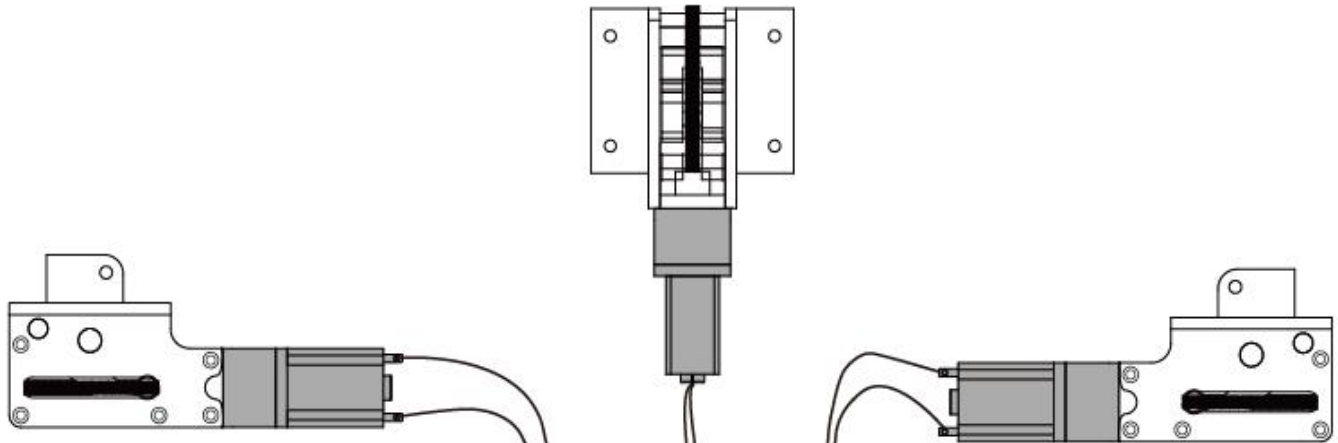
52. C.G: Never fly before checking the CG's required position. Never fly the model without well balancing.



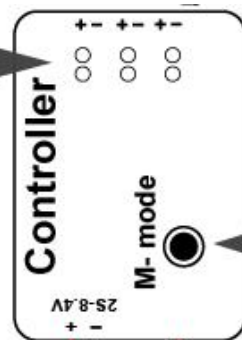
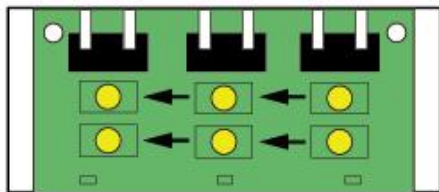
Electric retract system

Thank you very much for purchasing our TRCM optional electric retract set, all our products were passed strict QC before they shipped out to the customers. In order to avoid probably trouble happen, we still would like you to follow the steps below before you assemble our electric retracts to your plane.

1. Connecting the circuit board to the battery and receiver.



2. Turn on the radio control to check the lights on the circuit board, if the lights turn on green or turn on red orderly 0.5 second after each from the right to the left and all the lights will turn off after 15 seconds, then the circuit will work normally. Otherwise the circuit will be a defective one if you make sure the setting on your radio control are correct, please don't use it but contact with your supplier in time.



3. Link the electric retract units to the circuit boards after the above two steps, check again the electric retracts to see if they can work normally or not.

4. The M-mode button can be used for testing the e-retracts without remote control nor receiver.

In order to let the customers have more choices, we don't provide a uniform plugs.

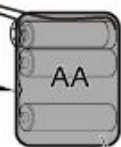


For retracts

Receiver

1

4.8V



For receiver

. Assemble the electric retracts to the plane after several times smoothly running.



Warning! Please don't ceaselessly turn and off the switch in 2 seconds, if you do this way, the circuit board will be heated.