

[TopRCModel-USA.com](http://TopRCModel-USA.com)

# F4U Corsair



## **Specification:**

**Wing Span: 2362mm/93in**

**Length: 1907mm/75"**

**Flying Weight: 16.8 kg**

**Wing area: 103.19 dm<sup>2</sup>**

**Engine: 60-80cc-100cc**

**C.G: 155mm from the leading edge at wing root**

[TopRCModel-USA.com](http://TopRCModel-USA.com)

## REQUIRED FOR OPERATION (Purchase separately!)



**CAUTION:** For details concerning the equipment listed below (size, maker, etc.), check with your hobby shop.

- 1** A minimum 6 channel radio for airplanes (with 8 servos), and dry batteries.



**CAUTION:** Only use a minimum 6 channel radio for airplanes! (No other radio may be used!)  
6 channel radio for airplane is highly recommended for this model.

12 AA-size Batteries



A minimum 6 channel transmitter for airplanes.



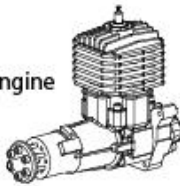
For handling the radio properly, refer to its instruction manual.

**2**

Engine and Muffler

Model Airplane Engine 60cc-80cc-100cc gas engine

Muffler



**3**

Propeller Spinner



scale spinner

Purchase a propeller that will match your engine.

24 x 12" / 25 x 10"



**4**

Sponge Sheet



Gasoline tube



Fuel Filter



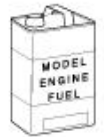
**5**

Required for engine starting:



**WARNING:** Normal gasoline cannot be used with glow engines.

Gasoline



Fuel Pump



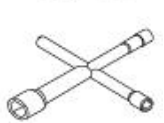
Booster Cord



4 D-size Batteries



Plug Wrench

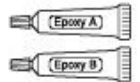


**6**

Glue Instant Glue



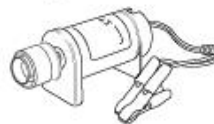
Epoxy Glue



**7**

Other equipment for enhancing airplane operation & performance

Engine Starter



12V Battery (for starter)



**9**

Optional electric retract set



## TOOLS REQUIRED (Purchase separately!)

Sharp Hobby Knife



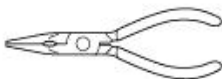
Phillips Screw Driver (l, m, s)



Awl



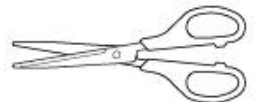
Needle Nose Pliers



Wire Cutters



Scissors



## BEFORE YOU BEGIN

- 1** Read through the manual before you begin, so you will have an overall idea of what to do.
- 2** Check all parts. If you find any defective or missing parts, contact your local dealer.
- 3** Symbols used throughout this instruction manual, comprise:
- 4** We strongly recommend you use the thread lock for all the screws when you build your model.



Apply epoxy glue.



Drill holes with the specified diameter (2mm).



Cut off excess.



Pay close attention here!



Assemble left and right sides the same way.



Apply instant glue (CA glue, super glue).



Cut off shade portion.








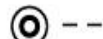




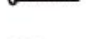













Ensure smooth non-binding movement while assembling.

























Must be purchased separately!

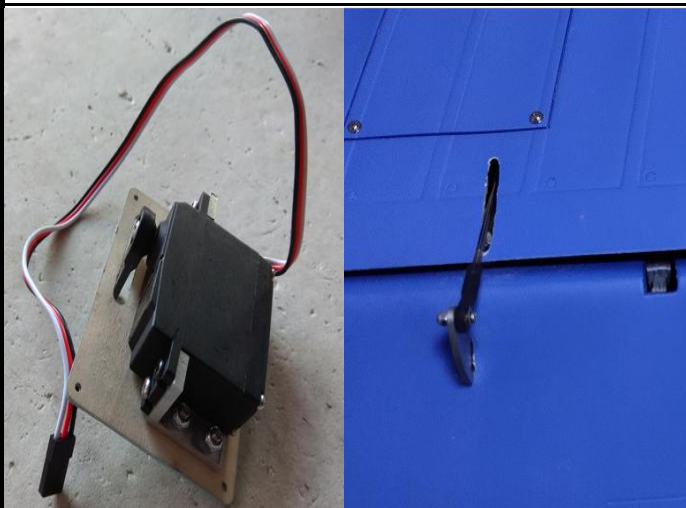


# F4U ACCESSORIES

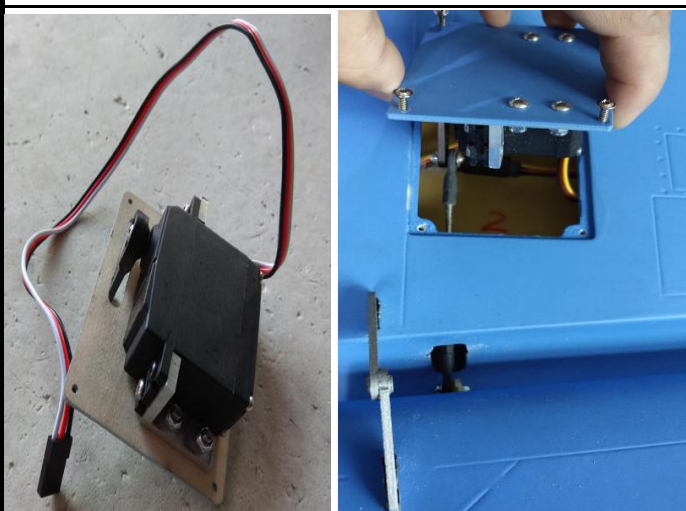
	TP Screws (2.3x8mm)	12
	TP Screws (3x12mm)	12
	TP Screws (2.3x12mm)	2
	Plastic screw (6x50mm)	2
	Hexagon screw (5x35mm)	2
	Flat washer (5x12mm)	2
	Fiber wing joiner (10x396mm)	2
	Push rod (2x80mm)	6
	Push rod (2x66mm)	2
	Ball joint (2mm)	18
	Screws (2x10mm)	26
	Flat washer (2x6mm)	28
	Blind nut (2mm)	26
	Mid clevis push rod assembly (2mm)	2
	Mid clevis push rod assembly (2mm)	2
	Push rod (2x141mm)	2
	Mid wing fiber horn (2mm)	4
	Flap fiber horn (2mm)	4
	Fiber horn (2mm)	8
	Mid wing fiber horn (2mm)	4
	Cowl alu tube 1x4	1
	Washer (3 x 8 mm)	8
	Hexagon screw (3x16mm)	8
	TP Screws (3x14 mm)	14

	L bracket (25x20x3mm)	12
	Screws (3x8mm)	24
	Round screws (3x10mm)	24
	Blind nut (3mm)	24
	Washer (3x6mm)	24
	Stub tube (16x378x1.2mm)	1
	Round screws (3x8mm)	12
	Ply wood accessory	1
	Soft spring (4x66mm)	1
	Ply cowl frame	1
	Rudder arm wire(3mm)	1
	Steel wire (0.45x4000mm)	1
	Copper jointer	2
	Copper tube (3x6mm)	4
	Plastic retainer	2
	Throttle wire 2 X 500mm	1
	Fuel tank (800cc)	1
	Pin hinge (24x24mm)	3
	Wheel cover parts	2
	Round Hexagon screw(3x8mm)	4
	Round Hexagon screw(3x16mm)	4
	Ply wood plates	8

**1. Assemble the aileron. Prepare the servos of aileron, trim slots to appropriate position in outer wing and aileron, apply instand type AB glue to the slots in the aileron and pivot & round hinges. Connect the servo to the horn with screws.**



**2. Assemble the flap on the outer wing. Prepare the servos for flaps, trim slots to appropriate position in the outer wing and flaps, apply instand type AB glue to the slots in the flaps and horns. Connect the servo to the horn with screws.**



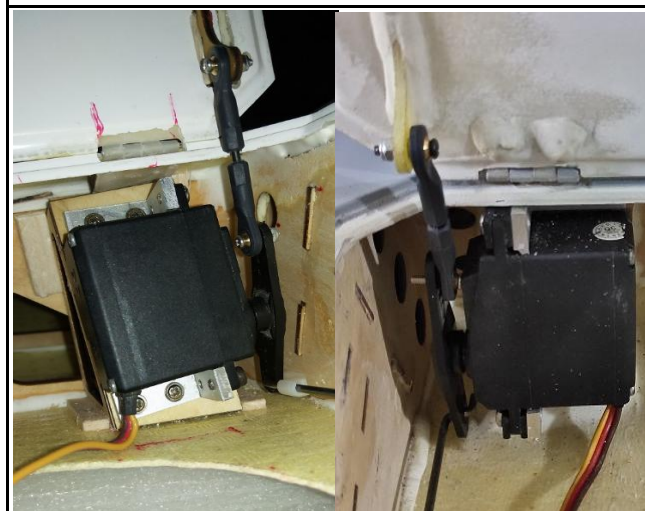
**3. Fix the servo to the wing, Keep some space between the trailing edge and the aileron to make sure it can rotate smoothly.**



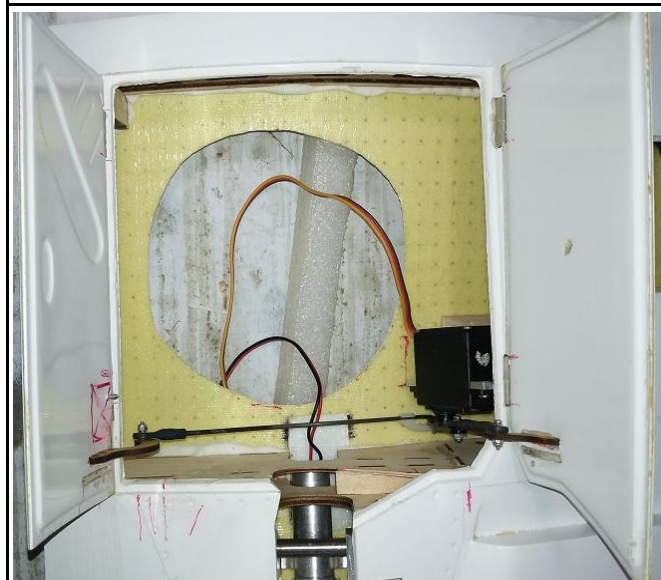
**4. Assemble the flap on the center wing, put the flaps together, trim slots to appropriate position in center wing trailing edge and flap, apply instand type AB glue to the slots in the flap and horns. Connect the servo to the horn with screws.**



**5. Epoxy the pinned hinges, horns to the inner gear door carefully, Trim slots through the gear door and pinned hinges and fix the pinned hinges tightly to the inner gear door. Assemble the**



**6. Photo for the gear door assembly finished .**



7. Assemble the main retracts and gear cover parts to the retract mount with screws .



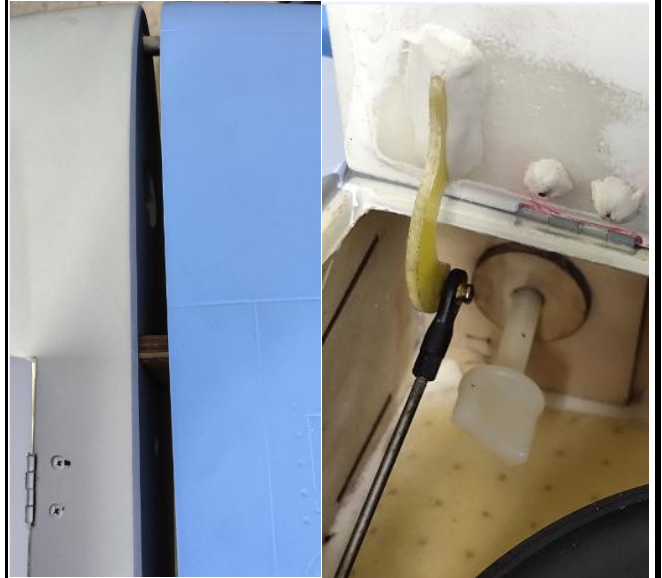
8. The pictures after gear door cover install finished and gear door open .



9. Epoxy the fiber wing joiner to the center wing tightly .



10. Assemble the out wing to the center wing and lock them with screws .



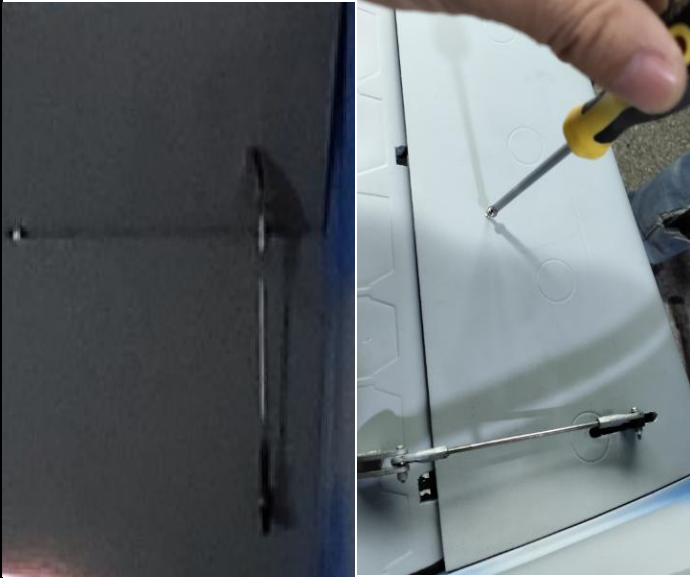
11. Assemble the wing to the fuselage and lock it with screws.



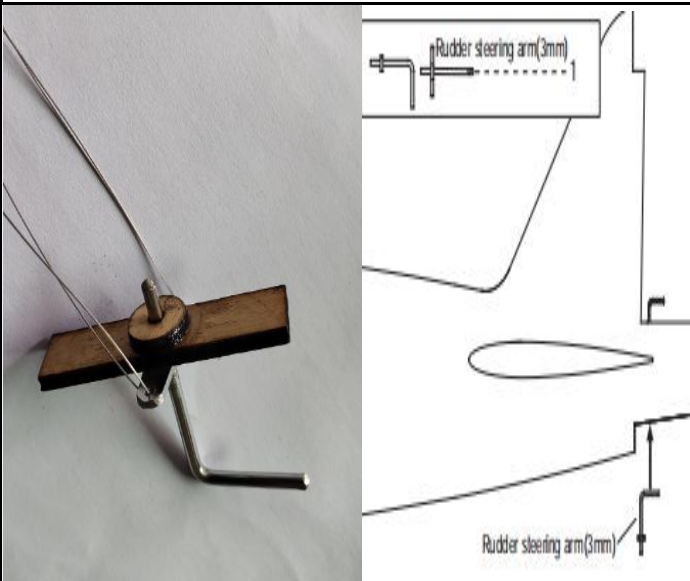
12. Assemble the servo to appropriate position in the stabilizer, and connect the horn in the elevator .



13. Glue one side of the stab tube to one stabilizer, assemble it to the fuselage through the stab tube, assemble another stabilizer to the fuselage and lock the stabilizer with screw.



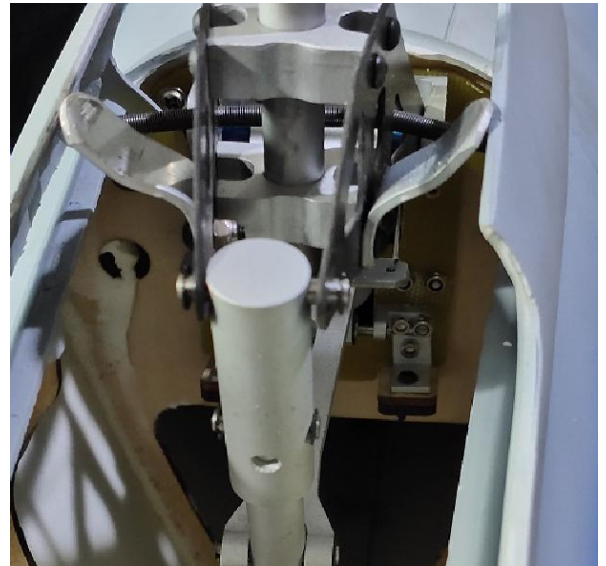
14. Assemble the rudder arm wire to the tail fuselage as illustration.



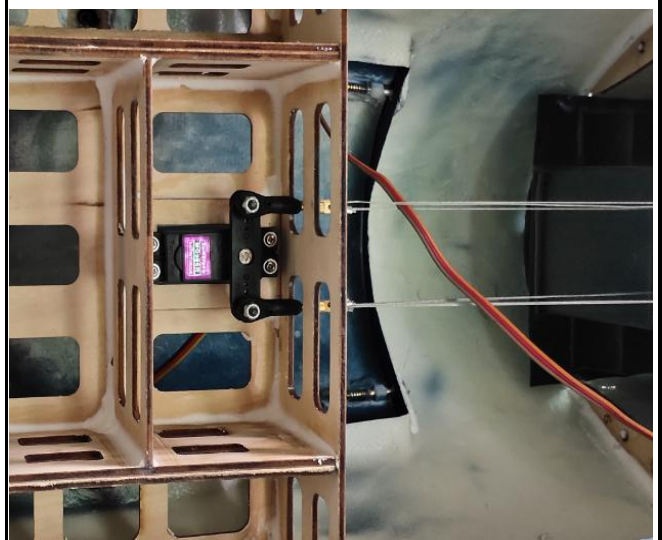
15. Apply AB glue to the slots in the rudder assemble the rudder to the vertical fin of the plane, epoxy the plywood plate to the fuselage.



16. Assemble the tail wheel to the tail fuselage.



17. Mount the fuel tank. Assemble the servo for rudder in the fuselage and connect them via the steel wire.



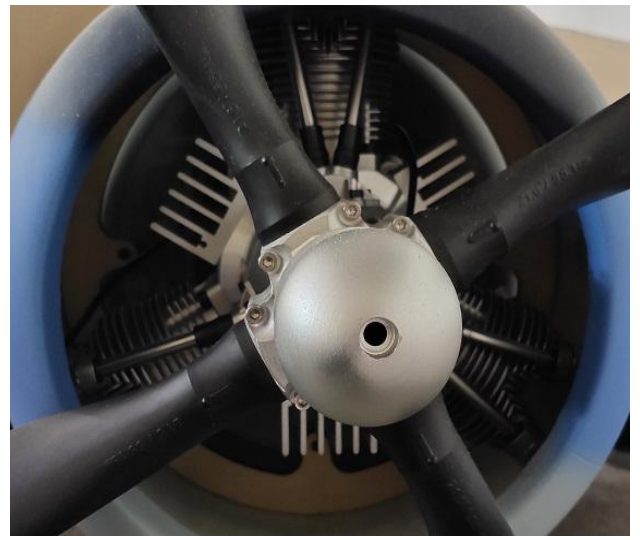
18. Assemble the ply cowl frame to the fuselage.



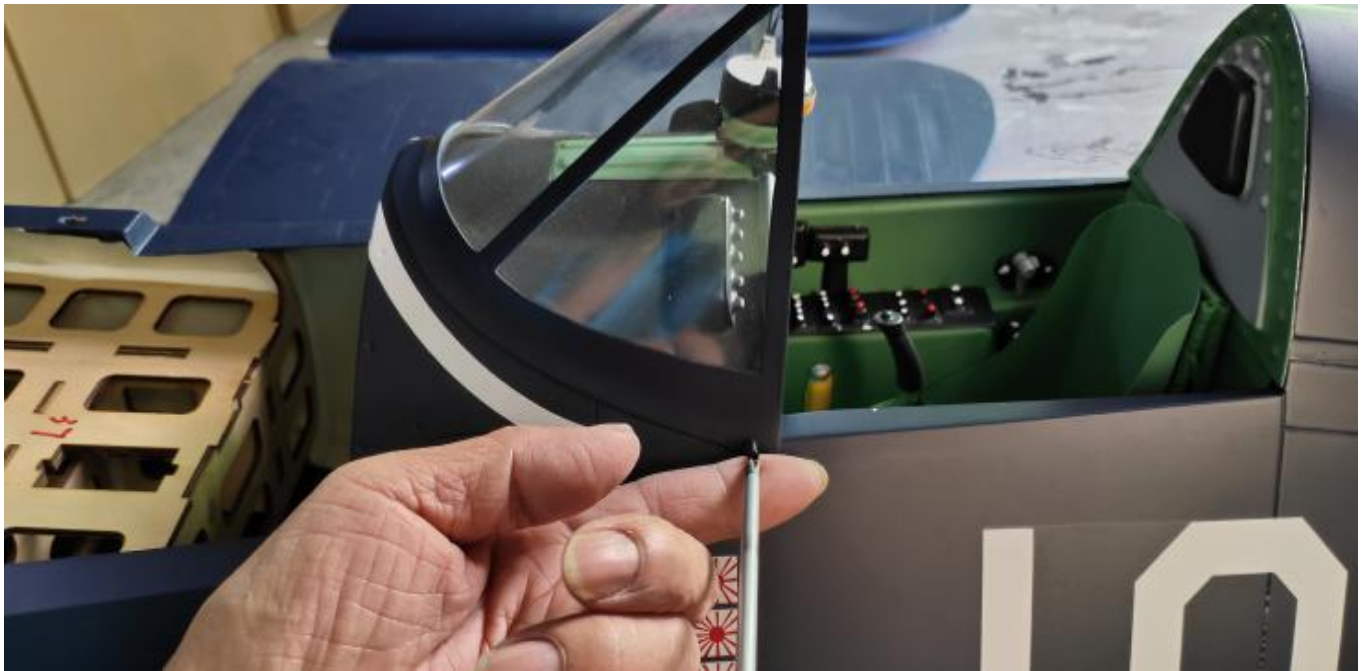
19. Install the engine to the firewall with screws, please keep 2 degree right thrust and 2.5 degree down thrust . Put the cowling to the engine and glue the cowl to the ply wood



20. Assemble the propeller and spinner nut to the engine .



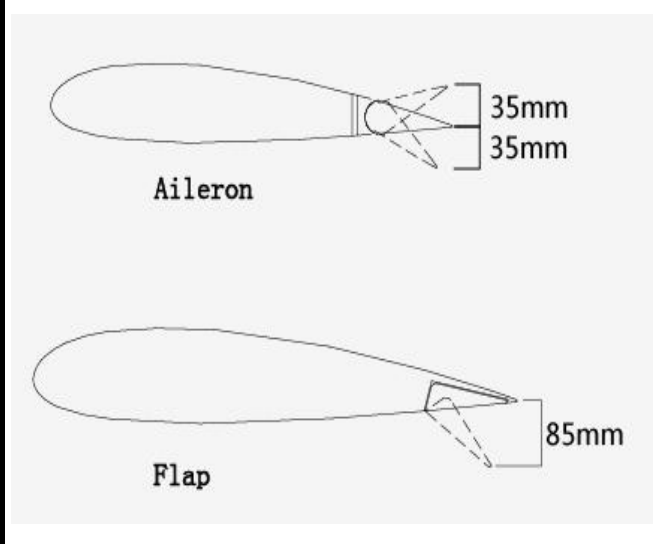
21. Fix the canopy with screws to avoid it come off during flying .



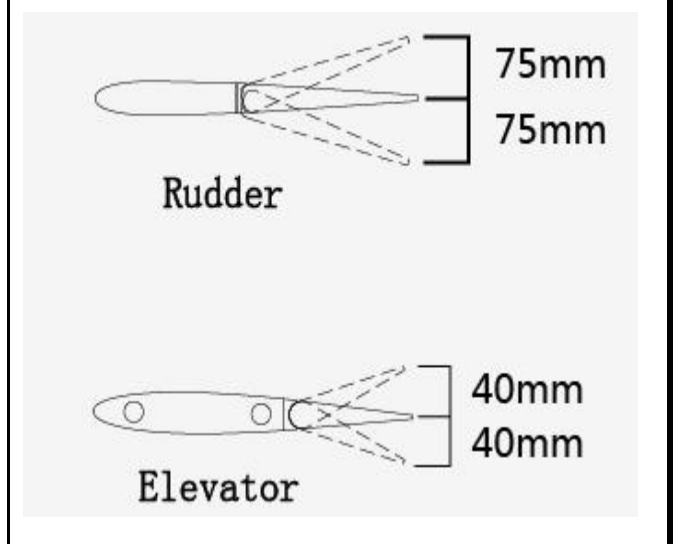
22. Photos when the model assembled completely.



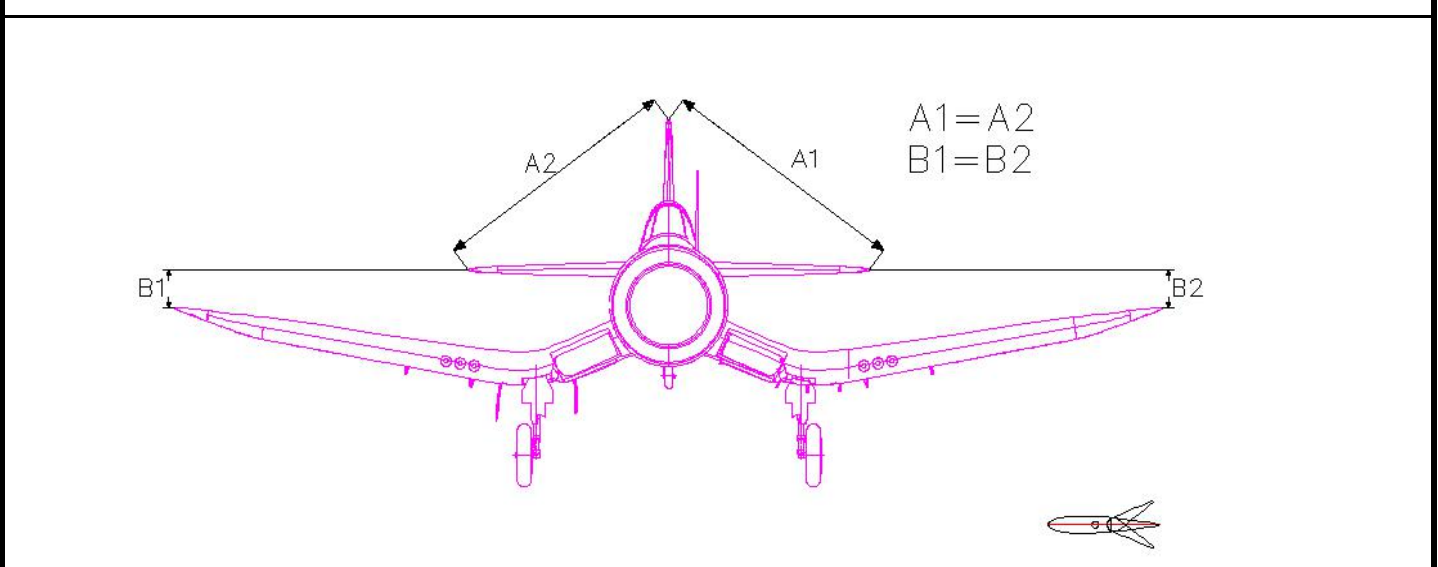
23. Adjust the travel of each control surface to the values in the diagrams. These values fit general flight capabilities. Readjust according to your needs and flight level.



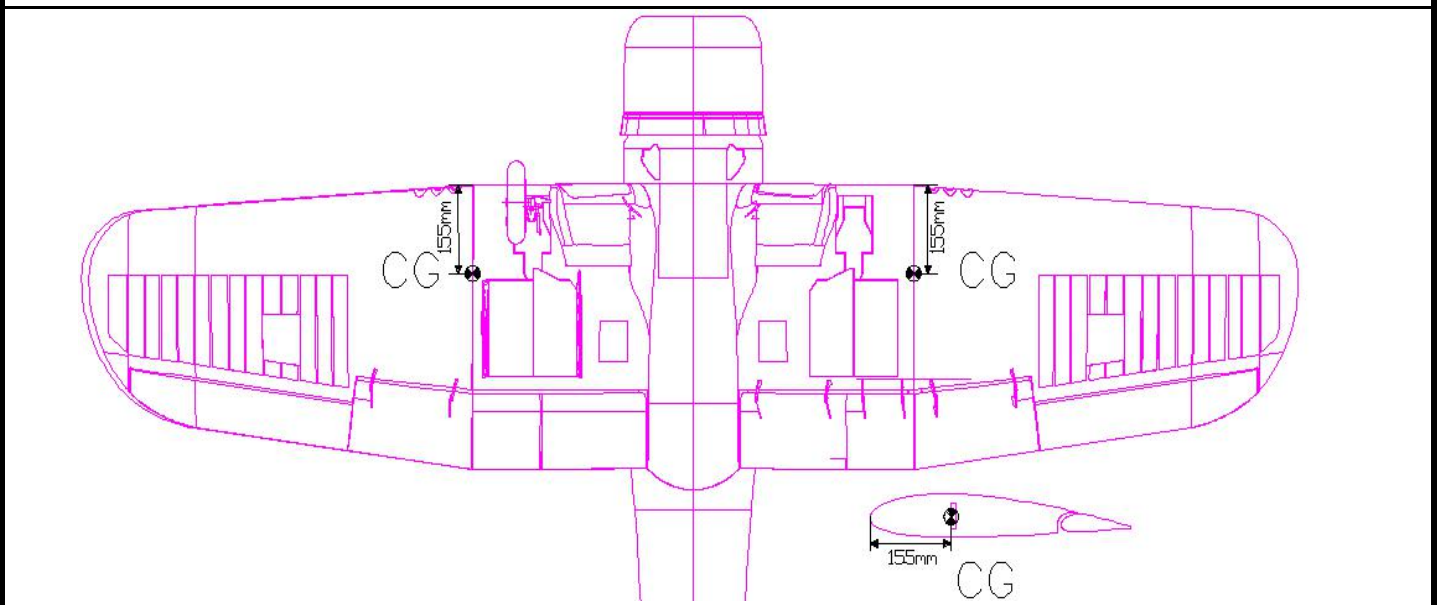
24. Adjust the travel of each control surface to the values in the diagrams. These values fit general flight capabilities. Readjust according to your needs and flight level.



25. Check all the datas well. make sure all sections glue tightly. Otherwise if coming off during flights, you'll lose control of your airplane which leads to accidents!



26. C.G: Never fly before checking the CG's required position. Never fly the model without well balancing.



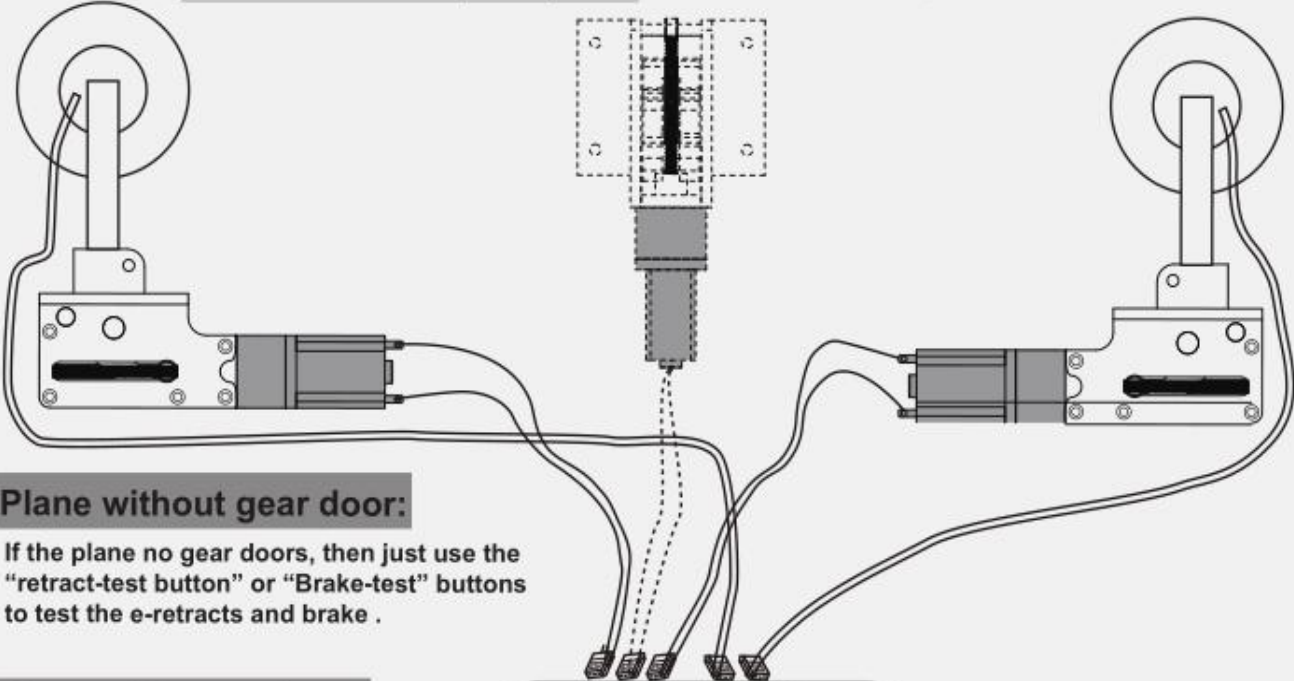


# Electric retract system

Thank you very much for purchasing our TRCM optional electric retract set, all our products were passed strict QC before they shipped out to the customers. In order to avoid probably trouble happen, we still would like you to follow the steps below before you assemble our electric retracts to your plane.

## Connect the wires:

Connecting all the wires, the controller to the Lipo battery, retract/brake wires to the controller and the signal wires to the receiver, all red wires on the top side please. See the illustration below:



## Plane without gear door:

If the plane no gear doors, then just use the "retract-test button" or "Brake-test" buttons to test the e-retracts and brake.

## Plane with gear door:

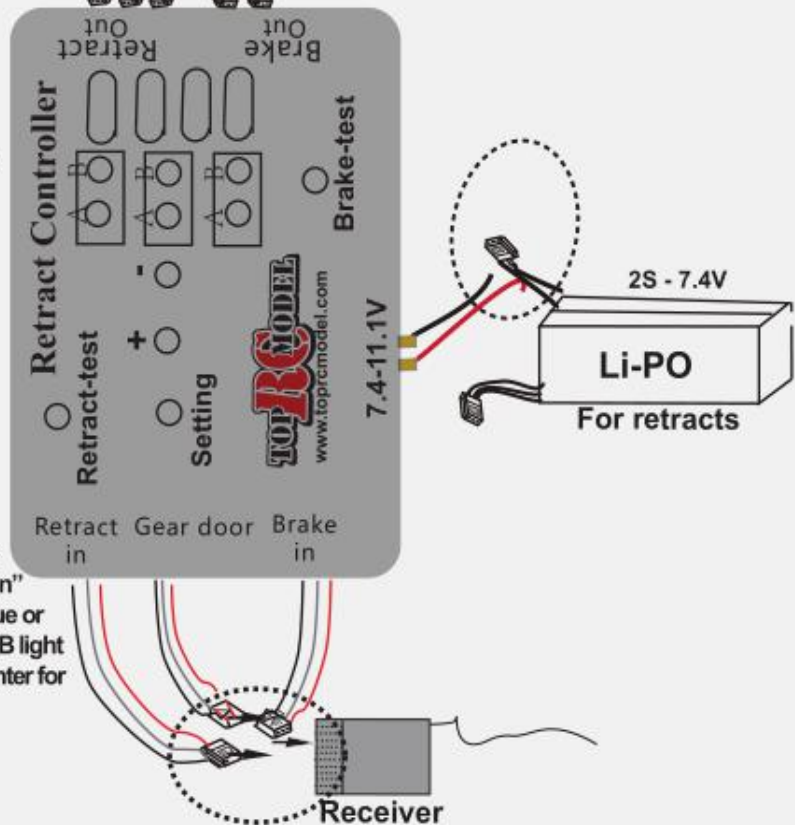
If the plane have gear door, the controller will help operate them in two option modes, Mode A & Mode B. Please see the procedures below:

**Mode A:** Gear door open—landing gear down—Landing gear up—Gear door close. The light B green flashes one time.

**Mode B:** Gear door open—landing gear down—Gear door close—Gear door open—Landing gear up—Gear door close. The light B green flashes two times.

### Gear door settings:

3 seconds press "setting button" all lights turn green, fast press "setting button" to choose the group you want to adjust, Stop press the "setting button" 1 second, it will entry current group, Blue or green A light for adjusting route; Blue B light for adjusting the direction; Green B lighter for adjusting the mode.



Assemble the electric retracts to the plane after several times smoothly running.



**Warning!** Please don't ceaselessly turn and off the switch in 2 seconds, if you do this way, the circuit board will be heated.